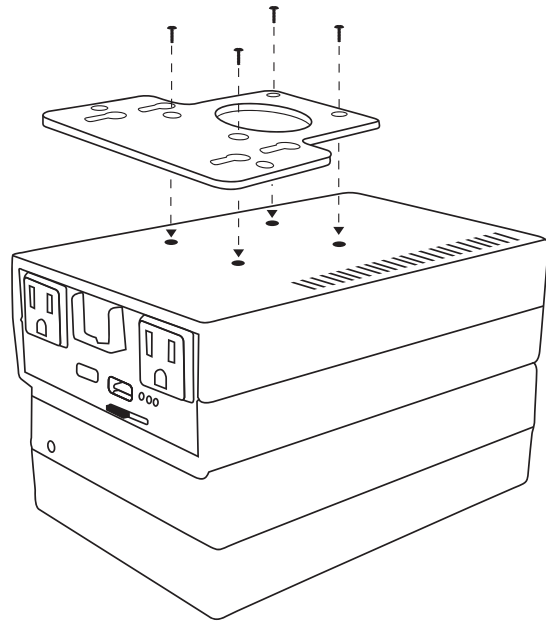


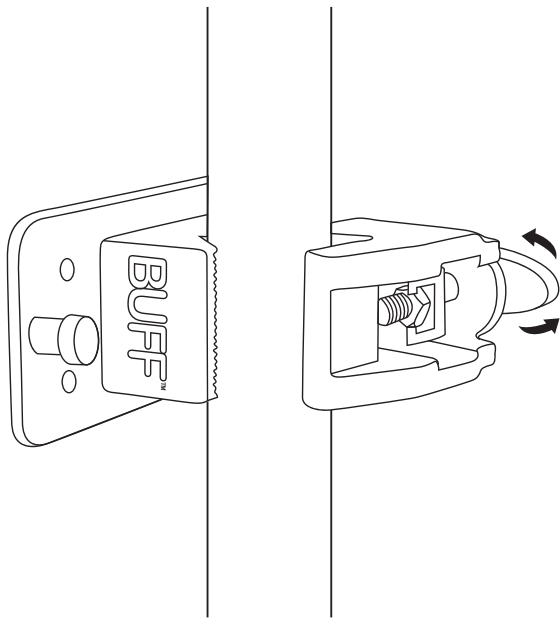
STEP 1:

Disassemble the current clamp by removing the four screws illustrated.



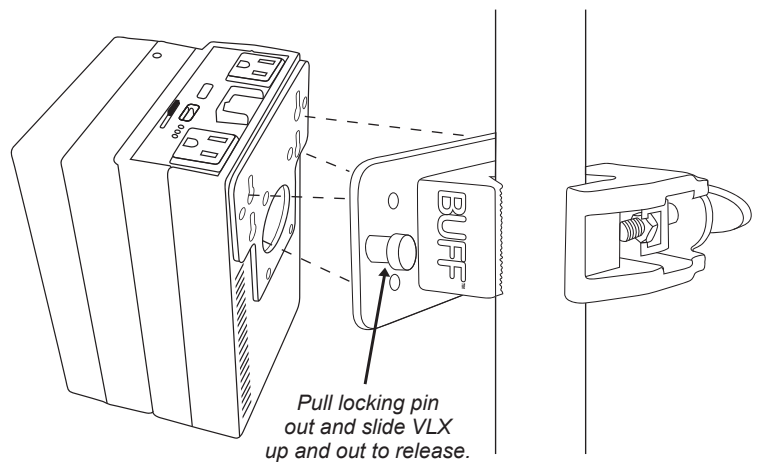
STEP 2:

Attach the new clamp plate with the four screws included in the package.



STEP 3:

Fasten the clamp on to the light stand by twisting the tightening knob clockwise.



STEP 4:

Align the pegs from the clamp with the slots on the plate and slide into place. The locking pin will snap into place if done correctly.